

Sterilization



MLS-3020U

Sterilization temperature

105°C to 126°C

Effective capacity

47 liters/1.7 cu.ft.

**Easy-to-use
Compact design**

Easy-to-use laboratory autoclave ensures reliable sterilization and user safety.

- Microprocessor control maintains accurate sterilization temperature
- Easy to operate ergonomic design
- Safety assured with fail-safe functions
- Audible and visual alarms alert the user to end-of-cycle and error conditions
- Compact design ideal for limited space

Features

Accurate sterilization operation

A microprocessor monitors and controls steam temperature within the chamber, ensuring that it is maintained within the ranges: 105°C – 126°C.

Safety assured with fail-safe functions

1. Pressure safety valve

A reliable pressure safety valve is used to prevent pressure inside the chamber from rising above acceptable levels.

2. Door switch

A safety mechanism prevents the autoclave from operating if the door is not completely closed. A "door closed" lamp lets you check whether the door is closed.

3. Thermistor error detector

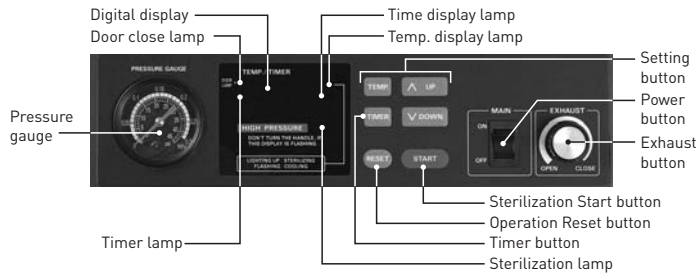
If the state of the thermistor temperature sensor is opened (connection broken), the heater turns off to prevent overheating. Buzzer alert: Pairs of short beeps repeated in succession

4. Overheating protection function

The digital display starts to flash if the temperature in the chamber rises more than 2°C above the temperature setting. If it rises 3°C or more above the setting, the relay shuts off, and cuts off power to the heater.

Digital controls and display

The digital control panel allows temperature and time settings to be entered accurately in 1°C and 1-minute intervals. The display panel is easily readable, helping to prevent errors when setting parameters.



Audible and visual alarms

A buzzer sounds to alert the user to the end of sterilization cycle so that items can be removed from the autoclave.



1. "Sterilization finished" alert

A buzzer sounds to tell you when sterilization is finished. Buzzer alert: Single long beep



2. "Safe to remove contents" alert (cycle fully complete)

When the items being sterilized have cooled down to the point where it is safe to remove them, a buzzer sounds. Buzzer alert: 10 long beeps in succession

Easy-to-operate ergonomic design

The interior of the chamber is free of protrusions such as sensors or piping joints that could interfere with the insertion or removal of items. The single rectangular handle turns easily and securely seals the chamber. The control panel is mounted at the top of the unit, making it easier to see and operate. A water outlet valve allows easy changeover of the sterilization water.



Compact design

The body of the unit, with its built-in exhaust bottle, measures a mere 440 (W) x 550 (D) x 1050 (H) mm, so it will fit in the tightest spaces.

Specifications

	Model No.
230 V, 50 Hz/60 Hz (CE)	MLS-3020U-PE
External dimensions (W x D x H)*1	440 x 550 x 1050 (mm) 17.3 x 21.7 x 41.3 (inch)
Chamber dimensions	Ø11.8 x 26.4 (inch)
Effective capacity	47 liters (1.7 cu.ft.)
Material	Exterior: Galvanized steel with baked-on finish
	Door: Stainless steel (SUS304)
	Chamber: Stainless steel (SUS304)
Sterilization temperature	105°C to 126°C
Temperature display	Digital display (Display range: 80°C to 141°C)
Safety valve releasing pressure	0.18MPa
Pressure gauge	0MPa to 0.3MPa (0 psi to 45 psi)
Timer setting range	1 minute to 180 minutes
Casters	4
Water injection	Direct pouring to the chamber opening
Water drainage	Manually drainage through the drain valve
Exhaust tank	3-liter polyethylene tank
Power supply	230 V (50/60 Hz)
Power consumption	2.0 kW
Net weight	Approx. 67 kg (147.7 lbs.)*
Safety devices	Pressure safety valve, Anti-dry scorch thermo limiter, Door switch, Handle switch, Current fuse
Accessories included	Stainless steel baskets (3)
Applicable standard	97/23/CE

*Including accessories

Caution: PHC Corporation guarantees the product under certain warranty conditions. PHC Corporation is in no way shall be responsible for any loss of content or damage to content.
 •Appearance and specifications are subject to change without notice.
 *1 External dimensions of main cabinet only - see dimension drawings showing handles and other external projections.

Options

MLS-RBB-PW Special round basket, B

Dimensions: 290(Ø) x 215(H) mm

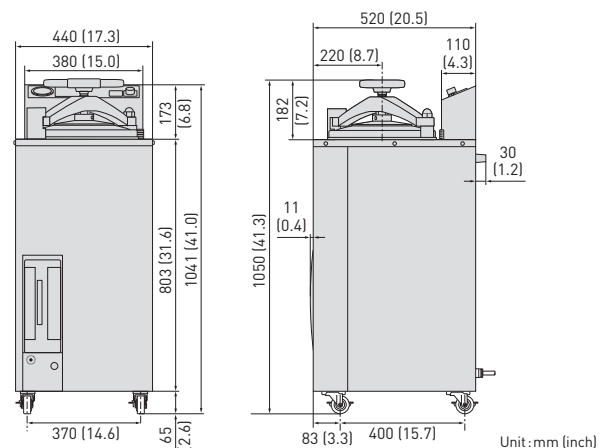
MLS-RBH-PW Special round basket, Half

Dimensions: 290(Ø) X 320(H) mm



MLS-RBB-PW

Dimensions



DISTRIBUTED BY: